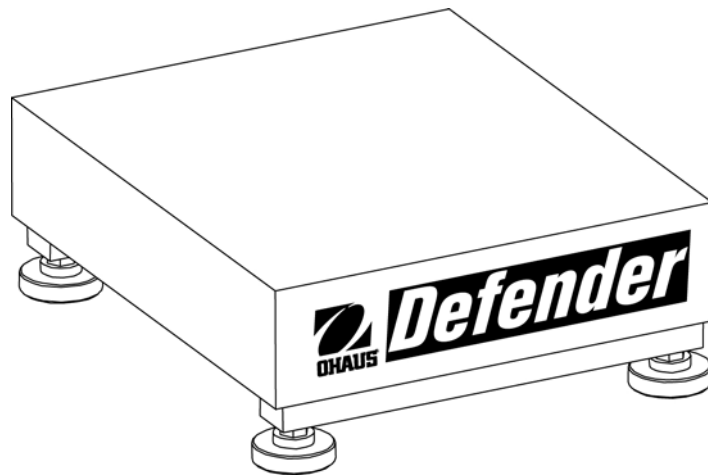




Defender™ 3000 Series Base Instruction Manual



INTRODUCTION

This manual covers installation, and maintenance instructions for the Ohaus Defender™ 3000 Series Base. Please read this manual completely before installation and operation.

SAFETY PRECAUTIONS

For safe and dependable operation of this product, please comply with the following precautions:



- Operate the base only under ambient conditions specified in these instructions
- Ensure that the load cell cable does not pose an obstruction or tripping hazard
- Do not operate the base in hazardous environments or unstable locations
- Do not drop loads on the base
- Do not lift the base by the top frame; always lift from the bottom frame when moving the base
- Service should only be performed by authorized personnel

Intended Use

Use the instrument exclusively for weighing as described in the operating instructions. Any other type of use and operation beyond the limits of technical specifications without written consent from OHAUS, is considered as not intended. This instrument complies with current industry standards and the recognized safety regulations; however, it can constitute a hazard in use. If the instrument is not used according to these operating instructions, the intended protection of the instrument may be compromised and OHAUS assumes no liability.

INSTALLATION

Unpacking

Unpack and inspect the product to make sure that all components have been included. The package includes the following:

- Base
- Weighing Pan
- Warranty Card
- Instruction Manual

When purchased as a complete Defender 3000 Series Scale, will also include:

- 3000 Series Indicator
- Column Assembly

Assembly

Weighing Pan

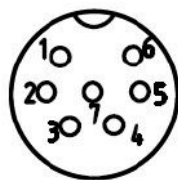
Place the weighing pan securely over the rubber load pads on the top frame of the base.

Wiring Connections

Connect the load cell cable to an indicator using the wiring codes in Table 1 below. Refer to the indicator manual for information about load cell connections, setup and calibration.

Note: When purchased as a Defender Series Scale, the base is already pre-wired to the 3000 Series Indicator.

TABLE 1. SIX WIRE LOAD CELL CONNECTION.

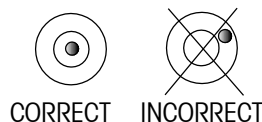


Pin	Connection
1	+EXE
2	+SEN
3	+SIG
4	GND
5	-SIG
6	-SEN
7	-EXE

Selecting the Location

To ensure accuracy, proper performance and safety, locate and operate the base on a stable, level surface. Avoid locations with rapid temperature changes or excessive dust, air currents, vibrations, electromagnetic fields or heat. Level the base by adjusting the four leveling feet until the bubble in the level indicator (located at the rear of the base) is centered. A wrench may be needed to loosen the locking nut above each leveling foot. When the base is level, retighten the locking nuts up against the base to lock each foot into place.

Note: Ensure that the base is level each time its location is changed.



MAINTENANCE

Cleaning

The base components should be kept clean and free of excessive material build up.

- Damp cloth with water and a mild detergent may be used to wipe clean the external surfaces—do not use acids, alkalis, strong solvents or abrasive materials and chemicals

Troubleshooting

Aside from installing components and leveling adjustments, the Defender Series Base does not require any other adjustments as shipped from the factory.

Operational difficulties that may be encountered can often be traced to simple causes such as:

- Loose or incorrect wiring connections
- Obstructions to the base frame
- Unstable environments
- Incorrect calibration or setup of the indicator

If the troubleshooting section does not resolve or describe your problem, contact your authorized Ohaus service agent. For service assistance or technical support in the United States call toll-free 1-800-526-0659 between 8:00 AM and 5:00 PM EST. An Ohaus product service specialist will be available to provide assistance. Outside the USA, please visit our web site, www.ohaus.com to locate the Ohaus office nearest you.

TECHNICAL DATA

Technical Specifications

The technical data is valid under the following ambient conditions:

Ambient temperature: -10°C to +40 °C

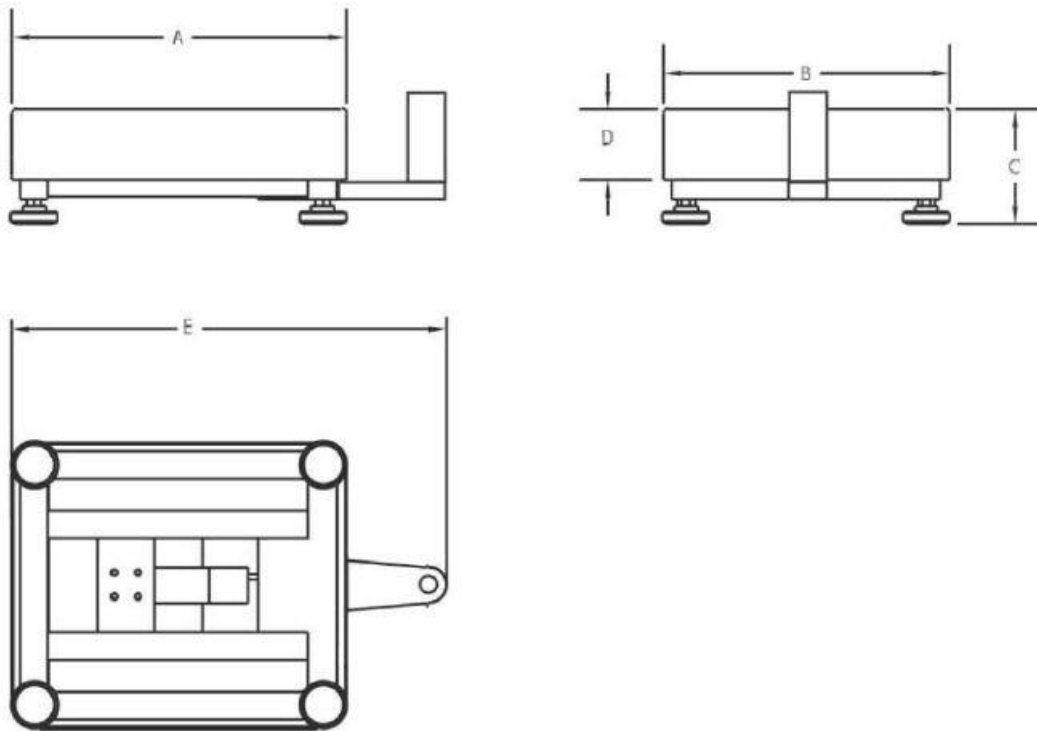
Relative humidity: 10% to 90% relative humidity, non-condensing

Height above sea level: Up to 4,000m

TABLE 2 SPECIFICATIONS

MODEL	D30B2R1	D60B2R1	D60B2L2	D150B2L2	D150B2X2	D300B2X2	D300B2V3	D600B2V3
Capacity	30 kg	60 kg	60 kg	150 kg	150 kg	300 kg	300 kg	600 kg
Maximum Resolution	6000d	6000d	6000d	7500d	7500d	6000d	6000d	6000d
Pan Dimensions	305 x 355mm		420 x 550mm		500 x 650mm		600 x 800mm	
Base Construction	430 steel platform with painted carbon steel frame and rubber leveling feet							
Safe Overload Capacity	150% of capacity							
Load Cell Cable	Length 2m, 4-wire						Length 2m, 6-Wire	
Load Cell Type	350 Ohm, aluminum, single point							
Load Cell Excitation	5-15V DC/AC							
Load Cell Rated Output	2mV/V							
Load Cell Protection	IP65							
Net Weight	9kg		16kg		30kg		42kg	
Shipping Weight	11kg		19kg		33kg		46kg	

Drawings



Base shown with 3000 series indicator and column

Figure 1. Defender Base Dimension Drawing.

TABLE 3. DIMENSIONS.


Base	A	B	C	D	E
	Pan Depth	Pan Width	Height of Pan to Surface of Table*	Height of Pan	Depth Including Level Indicator
R	355	305	123	75	467
L	550	420	136	80	662
X	650	500	143	90	762
V	800	600	170	100	800


*For leveling purposes, the feet may be extended up to an additional 11mm.

TABLE 4. ACCESSORIES.

Description	Part Number
Column Kit, 500mm, SS, D2K	30101022
Column Kit, 1000mm, SS, D2K	30101024
Column Kit, 700mm, SS, D2K	30101025

Compliance

	<p>This product conforms to the EU Directive 2011/65/EU (RoHS). The complete declaration of Conformity is available online at www.ohaus.com/ce.</p>
---	---

	<p>Disposal</p> <p>In conformance with the European Directive 2002/96/EC on Waste Electrical and Electronic Equipment (WEEE) this device may not be disposed of in domestic waste. This also applies to countries outside the EU, per their specific requirements.</p> <p>Please dispose of this product in accordance with local regulations at the collecting point specified for electrical and electronic equipment.</p> <p>If you have any questions, please contact the responsible authority or the distributor from which you purchased this device.</p> <p>Should this device be passed on to other parties (for private or professional use), the content of this regulation must also be related.</p> <p>For disposal instructions in Europe, refer to www.ohaus.com/weee.</p> <p>Thank you for your contribution to environmental protection.</p>
---	--

ISO 9001 Registration

In 1994, Ohaus Corporation, USA, was awarded a certificate of registration to ISO 9001 by Bureau Veritus Quality International (BVQI), confirming that the Ohaus quality management system is compliant with the ISO 9001 standard's requirements. On May 21, 2009, Ohaus Corporation, USA, was re-registered to the ISO 9001:2008 standard.

LIMITED WARRANTY

Ohaus products are warranted against defects in materials and workmanship from the date of delivery through the duration of the warranty period. During the warranty period Ohaus will repair, or, at its option, replace any component(s) that proves to be defective at no charge, provided that the product is returned, freight prepaid, to Ohaus. This warranty does not apply if the product has been damaged by accident or misuse, exposed to radioactive or corrosive materials, has foreign material penetrating to the inside of the product, or as a result of service or modification by other than Ohaus. In lieu of a properly returned warranty registration card, the warranty period shall begin on the date of shipment to the authorized dealer. No other express or implied warranty is given by Ohaus Corporation. Ohaus Corporation shall not be liable for any consequential damages. As warranty legislation differs from state to state and country to country, please contact Ohaus or your local Ohaus dealer for further details.



Ohaus Corporation
7 Campus Drive
Suite 310
Parsippany, NJ 07054, USA
Tel: (973) 377-9000
Fax: (973) 944-7177

With offices worldwide
www.ohaus.com



P/N 30529773 A © 2019 Ohaus Corporation, all rights reserved

Printed in China