



## ***Multi-Purpose Portable Balances Suitable for Everyday Weighing***

OHAUS raises the bar in price-performance ratio with the newly-designed Navigator series which is perfect for general weighing applications in laboratory, industrial and education settings. Ruggedly constructed and multifunctional, the Navigator is a powerful balance that can handle a diverse range of weighing applications with features such as fast stabilization time, overload protection at four times its rated capacity, and easy operation.

### ***Unique Features:***

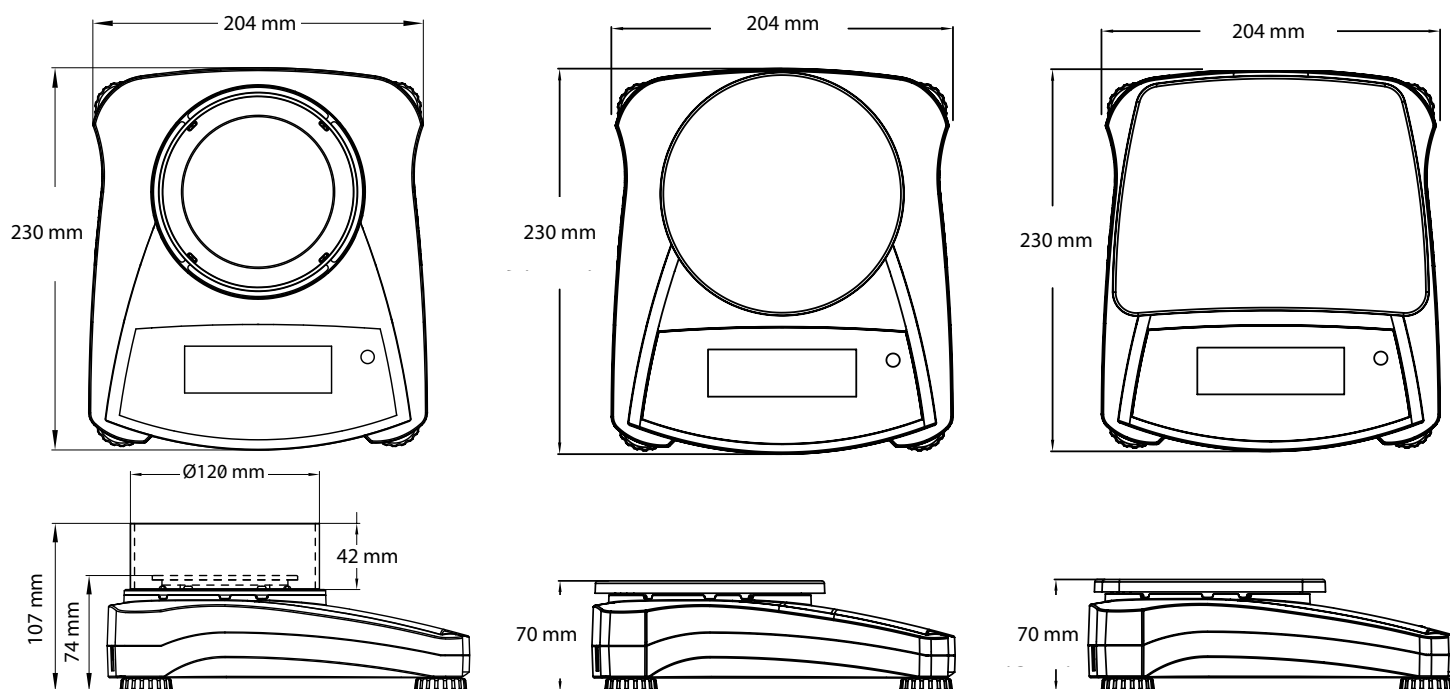
- Navigator offers essential weighing applications at a competitive price point.
- Advanced weighing technology offers one-second stabilization for fast and accurate weighing results, improving operator efficiency, productivity and throughput.
- Overload protection system that can withstand loads up to four times the rated capacity safeguards the balance.

# NAVIGATOR™ Portable Balances

Model	NV123	NV223	NV323	NV222	NV422	NV622	NV1202	NV2202	NV3202	NV221	NV621	NV1201	NV2201	
Capacity (g)	120	220	320	220	420	620	1200	2200	3200	220	620	1200	2200	
Readability (g)	0.001			0.01						0.1				
Repeatability (std. Dev.)	0.002			0.01	0.02						0.1			
Linearity (g)	0.003	0.005		0.02			0.03	0.05		0.2				
Span Calibration Mass*	100	200	300	200		300	1000	2000	3000	200	300	500	1000	
Linearity Calibration Mass	50, 100 g	100, 200 g	150, 300 g	100, 200 g	200, 400 g	300, 600 g	500 g, 1 kg	1 kg, 2 kg	1.5 kg, 3 kg	100, 200 g	300, 600 g	500 g, 1 kg	1 kg, 2 kg	
Stabilization Time(s)	2.5			1	1.5		2			1				
Construction	ABS housing and stainless steel pan													
Draftshield	Removable Draftshield			n/a										
Calibration	User-selectable external span or linearity calibration / Digital with external weight													
Tare Range	Full capacity by subtraction													
Weighing Units	g, kg, N, oz, ozt, dwt, lb, lb:oz, ct, grain, tals (3), Tical, Tola													
Application Modes	Weighing, Parts Counting, Percent Weighing, Checkweighing													
Power Requirement	AC adapter (included) or 4 C batteries (not included)													
Typical Battery Life	200 hours			270 hours			200 hours			270 hours				
Temperature Range	10 °C to 40 °C at 10% to 85% relative humidity, non-condensing													
Storage Conditions	-20 °C to 55 °C at 10% to 90% relative humidity, non-condensing													
Communication	RS232, USB, or Ethernet (available as accessories)													
Display Type	Liquid Crystal Display (LCD) with backlight													
Display Size	20 mm digits													
Draftshield Dimensions	Ø120 mm, height: 42 mm			n/a										
Pan Size (W × D)	Ø93 mm			145 mm			190 x 144 mm							
Balance Dimensions (W × D × H)	204 x 230 x 107 mm with draft shield 204 x 230 x 74 mm without draft shield			204 x 230 x 70 mm										
Shipping Dimensions (W × D × H)	385 x 335 x 170 mm			300 x 250 x 134 mm										
Net Weight							1.0 kg							
Shipping Weight							1.5 kg							

\*not included

## Dimensional Drawings



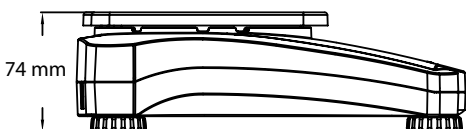
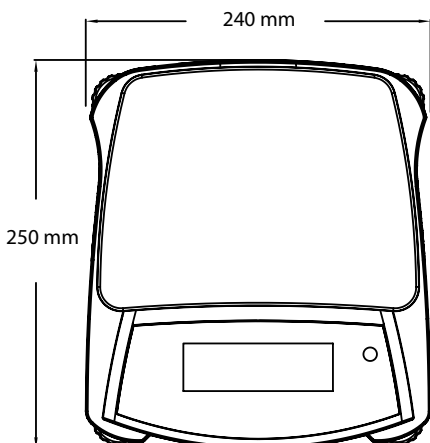
# NAVIGATOR™ Portable Balances

Model	NVT2201	NVT4201	NVT6201	NVT10201	NVT2200	NVT6200	NVT12000	NVT22000
Capacity (g)	2200	4200	6200	10200	2200	6200	12000	22000
Readability (g)	0.1			1				
Readability (std Dev.)	0.1	0.2			1			
Linearity (g)	0.2			2				
Span Calibration Mass*	1000	2000	5000		1000	5000		10000
Linearity Calibration Mass	1 kg, 2 kg	2 kg, 4 kg	3 kg, 6 kg	5 kg, 10 kg	1 kg, 2 kg	3 kg, 6 kg	5 kg, 10 kg	10 kg, 20 kg
Stabilization Time(s)	1	1.5			1			
Construction	ABS housing and stainless steel pan							
Draftshield	n/a							
Calibration	User-selectable external span or linearity calibration/Digital with external weight							
Tare Range	Full capacity by subtraction							
Weighing Units	g, kg, N, oz, ozt, dwt, lb, lb:oz, ct, grain, tael, Tical, Tola							
Application Modes	Weighing, Parts Counting, Percent Weighing, Checkweighing							
Power Requirement	AC adapter (included) or 4 C batteries (not included)							
Typical Battery Life	270 hours			200 hours	270 hours			
Temperature Range	10°C to 40°C at 10% to 85% relative humidity, non-condensing							
Storage Conditions	-20°C to 55°C at 10% to 90% relative humidity, non-condensing							
Communication	RS232, USB, or Ethernet (available as accessories)							
Display Type	Liquid Crystal Display (LCD) with backlight							
Display Size	20 mm digits							
Draftshield Dimensions	n/a							
Pan Size (W x D)	230 x 174 mm							
Balance Dimensions (W x D x H)	240 x 250 x 74 mm							
Shipping Dimensions (W x D x H)	385 x 335 x 170 mm							
Net Weight	1.5 kg							
Shipping Weight	2.3 kg							

\*not included

## Dimensional Drawings

NVT



## Built-in Application Modes

- **Weighing** – Determines the weight of items on the pan in the selected unit of measure.
- **Parts Counting** – Counts the number of pieces on the pan using a uniform weight.
- **Percent Weighing** – Measures the weight of a sample displayed as a percentage of pre-established reference weight.
- **Check Weighing** – Compares the weight of sample against target limits.

# NAVIGATOR™ Portable Balances

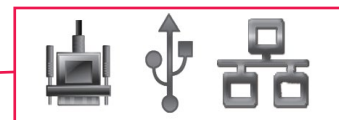
**Fast Weighing Speed:**  
As Fast As 1second  
**Efficient Weighing**



**Draftshield is available accurate weighing with new-expanded models**



**4 times Superior Overload Protection**  
**Durable & Reliable**



**Multi-Connectivity Options**  
**Easy for Data Logging**



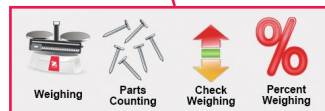
**Touchless Sensor**  
**Improve Productivity**



**Up to 270 hours Battery Life**  
**Uninterrupted operation**



**Large Pan & High Capacity**  
**Weigh Big Items**



**Multiple Application Modes**

## Other Standard Features and Equipment

ABS housing, stainless steel pan, transportation lock, menu and calibration lockswitch, slip-resistant and adjustable feet, leveling bubble, mechanical and software overload/underload protection, stability indicator, low battery indicator, auto shut-off, user-selectable print options, user-selectable communication settings

## Compliance

- **Product Safety:** IEC/EN 61010-1
- **Electromagnetic Compatibility:** IEC/EN 61326-1 Class B, Basic environments; FCC Part 15 Class B; Canada ICES-003 Class B
- **Compliance Marks:** CE; RCM

## Accessories

USB Interface .....	83032108
RS232 Interface .....	83032107
Ethernet Interface .....	83032109
Rechargeable Battery Kit.....	83032106
Carrying Case .....	30467963
Adapter with plugs.....	30467987
Printer, SF40A, .....	30045641
Weigh Below Kit, NV, NVT.....	30628012
Stacking Kit, x 1, NV* .....	30467917
Stacking Kit, x 4, NV* .....	30467918

\*Draftshield needs removed before applying for models with draftshield

**OHAUS Asia/Pacific Headquarters**

7F, Block 33, 680 Guiping Road  
Shanghai 200233  
China

e-mail: APmarketing@ohaus.com  
Tel: +86 21 64855408

**www.ohaus.com**

*The management system governing the manufacture of this product is ISO 9001:2015 certified.*

SAP Literature #



8776642\_A 20201228 © Copyright OHAUS Corporation