



Short Description



- Aluminium-alloy IP65 single point load cell
- Colourless anodized
- Available with flat ribbon or PVC cable
- Suitable for counting and other electronic scales
- Recommended maximum platform size: 350 × 450 mm

Non-OIML approved

Available Models

Capacity	Accuracy	Full Article Description
3kg	C3	L6C-C3-3kg-2B
5kg	C3	L6C-C3-5kg-2B
8kg	C3	L6C-C3-8kg-2B
20kg	C3	L6C-C3-20kg-2B
30kg	C3	L6C-C3-30kg-2B
50kg	C3	L6C-C3-50kg-2B

Specifications and dimensions are subject to change without notice and do not constitute any liability whatsoever.

Technical Specifications L6C

Accuracy Class		C3
Output Sensitivity (= FS)	mV/V	1.9 ± 0.2
Maximum Capacity (E _{max})	kg	3, 5, 8, 20, 30, 50
Max. Number of Load Cell Intervals	n _{LC}	3000
Ratio of min. LC Verification Interval	$Y = E_{max} / v_{min}$	7000
Combined Error	%FS	≤± 0.023
Creep Error (30 minutes)	%FS	≤± 0.0245
Temperature Effect on Zero (ZTC)	%FS/10°C	≤± 0.014
Temperature Effect on Sensitivity (STC)	%FS/10°C	≤± 0.0175
Zero Balance	%FS	≤± 2.0
Safe Overload	%FS	120
Ultimate Overload	%FS	150
Maximum Deflection	mm	0.62
Eccentric Loading Error	%Ld/cm	± 0.002
Excitation, Recommended Voltage	V	5 ~ 15
Excitation, Maximum Voltage	V	18
Input Resistance	Ω	406 ± 6
Output Resistance	Ω	350 ± 3
Insulation Resistance (50V)	MΩ	≥5000
Compensated Temperature	°C	-10 ~ + 40
Operating Temperature	°C	-35 ~ + 65
Storage Temperature	°C	-40 ~ + 70
Load Cell Weight	kg	0.39
Element Material		Aluminium
Ingress Protection (acc. to EN 60529)		IP65
Recommended Torque on Fixation Bolts	Nm	M8: 20

Wiring

Features:

Cable type: Shielded, 4 conductor cable , conductor AWG 24

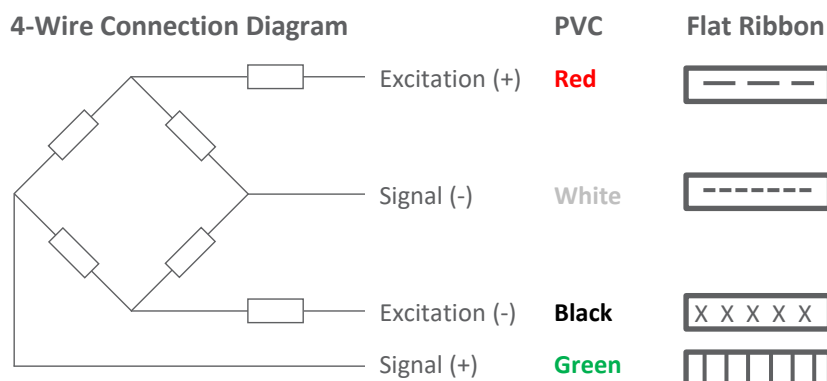
Cable diameter: Ø 5.3mm

Cable length: 2.0m

Cable jacket: PVC

Shield is connected to element

4-Wire Connection Diagram

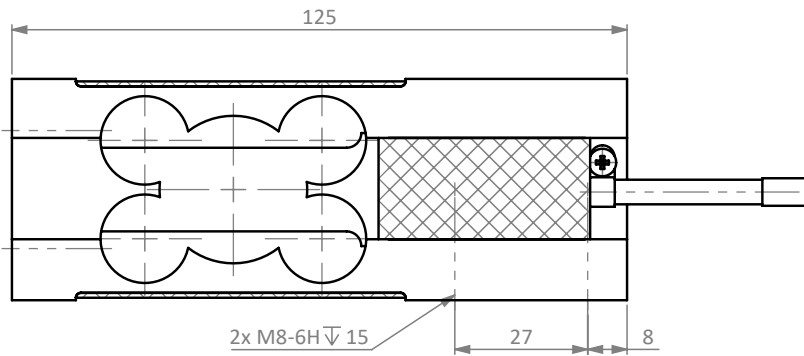


Specifications and dimensions are subject to change without notice and do not constitute any liability whatsoever.

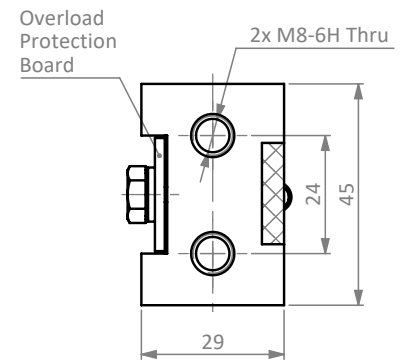
Type L6C Load Cell

Dimensions in mm

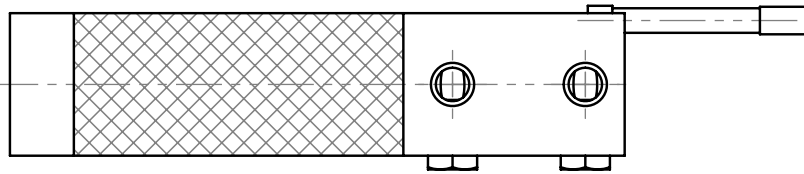
Front View



Side View



Bottom View



Mounting Position

