

## Short Description



- Aluminium-alloy IP65 single point load cell
- Colourless anodized
- Suitable for single or double load cell structured platform scales
- Maximum platform size: 200 x 200 mm



Test certificate no. TC7839 Revision 0  
C of C no R60/2000-NL1-10.23

## Available Models

Capacity	Accuracy	Full Article Description
4 kg	C3	L6H5-C3-4kg-1.75B
5 kg	C3	L6H5-C3-5kg-1.75B
6 kg	C3	L6H5-C3-6kg-1.75B
8 kg	C3	L6H5-C3-8kg-1.75B
10 kg	C3	L6H5-C3-10kg-1.75B
20 kg	C3	L6H5-C3-20kg-1.75B
30 kg	C3 Excluded from OIML	L6H5-C3-30kg-1.75B

Specifications and dimensions are subject to change without notice and do not constitute any liability whatsoever.

## Technical Specifications L6H5

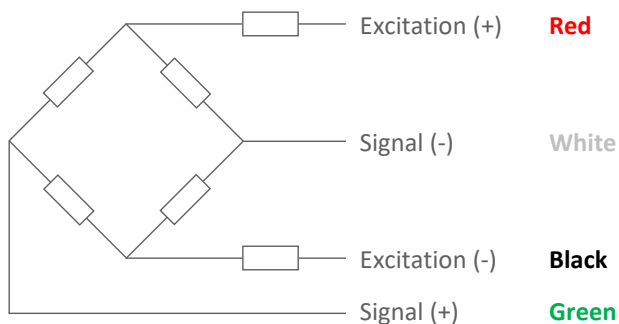
Accuracy Class		OIML R60 C3	C3
Output Sensitivity ( = FS )	mV/V	2.0 ± 0.2	
Maximum Capacity ( E <sub>max</sub> )	kg	4, 5, 6, 8, 10, 20	30
Max. Number of Load Cell Intervals	n <sub>LC</sub>	3000	
Ratio of min. LC Verification Interval	Y = E <sub>max</sub> / v <sub>min</sub>	15000	
Combined Error	%FS	≤± 0.023	
Creep Error (30 minutes)	%FS	≤± 0.0245	
Temperature Effect on Zero (ZTC)	%FS/10°C	≤± 0.020	
Temperature Effect on Sensitivity (STC)	%FS/10°C	≤± 0.017	
Zero Balance	%FS	≤± 2.0	
Safe Overload	%FS	120	
Ultimate Overload	%FS	150	
Maximum Deflection	mm	~0.24	
Eccentric Loading Error	%Ld/cm	± 0.002	
Excitation, Recommended Voltage	V	5 ~ 12	
Excitation, Maximum Voltage	V	18	
Input Resistance	Ω	406 ± 6	
Output Resistance	Ω	350 ± 3	
Insulation Resistance (50V)	MΩ	≥5000	
Compensated Temperature	°C	-10 ~ + 40	
Operating Temperature	°C	-35 ~ + 65	
Storage Temperature	°C	-40 ~ + 70	
Load Cell Weight	kg	0.15	
Element Material		Aluminium	
Ingress Protection (acc. to EN 60529)		IP65	
Recommended Torque on Fixation Bolts	Nm	M8: 25	

## Wiring

### Features:

Cable type: Shielded, 4 conductor cable , conductor AWG 26  
 Cable diameter: Ø 3.8mm  
 Cable length: 1.75m ± 0.05m (Note: 0.5m cable length available on request)  
 Cable jacket: PVC  
 Shield not connected to element

### 4-Wire Connection Diagram

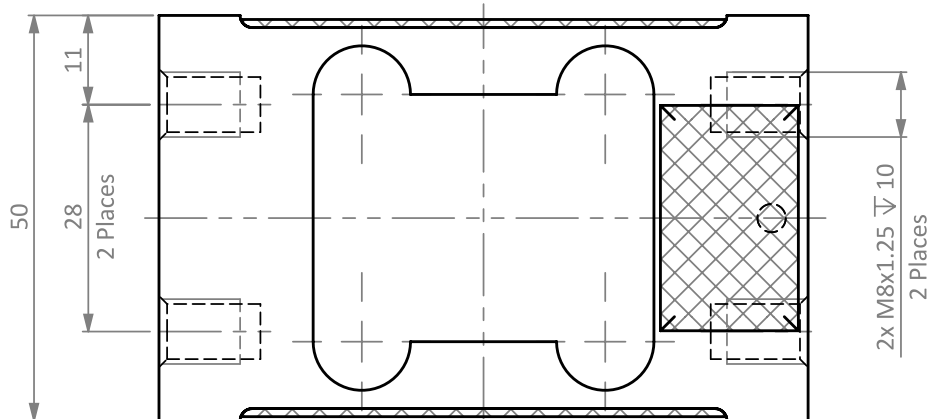


Specifications and dimensions are subject to change without notice and do not constitute any liability whatsoever.

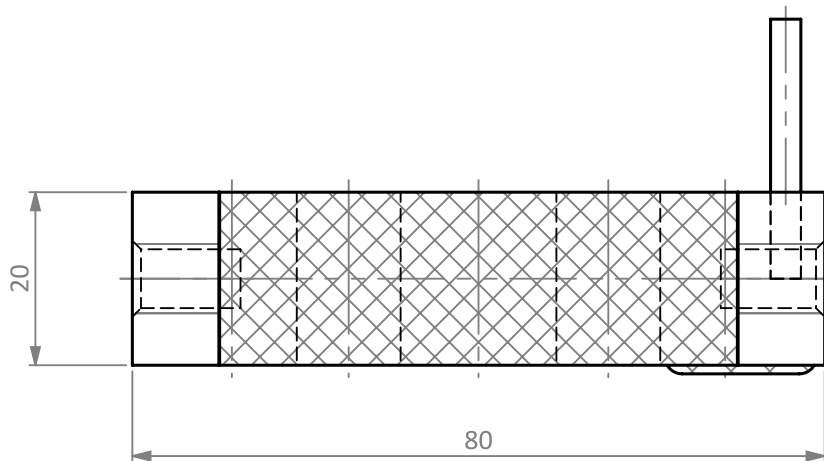
# Type L6H5 Load Cell

## Dimensions in mm

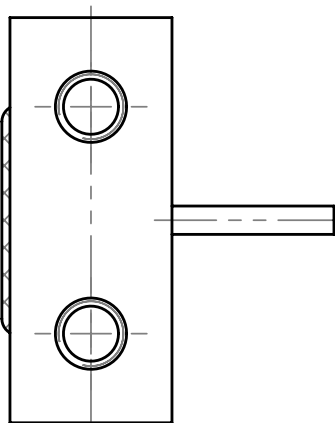
### Front View



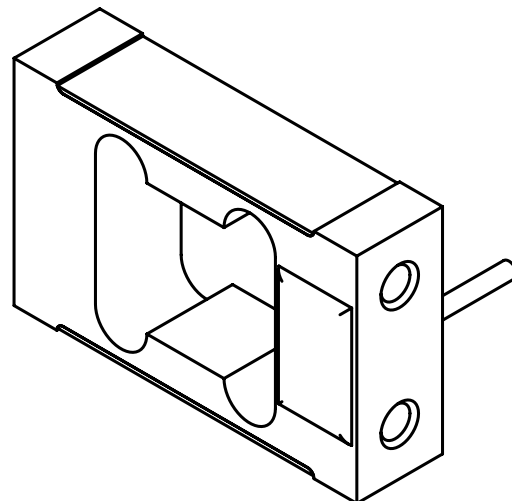
### Top View



### Side View



### Isometric View



Specifications and dimensions are subject to change without notice and do not constitute any liability whatsoever.