

Short Description



- Nickel plated alloy steel IP66 single point load cell
- Bending beam
- Suitable for belt, platform and other electronic weighing devices
- Recommended maximum platform size:
 - for 50kg – 200kg: 400 × 400 mm
 - for 250kg – 500kg: 600 × 800 mm
 - for 750kg – 2t: 1200 × 1200 mm

Non-OIML approved

Available Models

| Capacity | Accuracy | Full Article Description |
|----------|----------|--------------------------|
| 50kg | C3 | H6F-C3-50kg-3B6-S1 |
| 100kg | C3 | H6F-C3-100kg-3B6 |
| 150kg | C3 | H6F-C3-150kg-3B6 |
| 200kg | C3 | H6F-C3-200kg-3B6 |
| 250kg | C3 | H6F-C3-250kg-3B6 |
| 350kg | C3 | H6F-C3-350kg-3B6 |
| 500kg | C3 | H6F-C3-500kg-3B6 |
| 750kg | C3 | H6F-C3-750kg-3B6 |
| 1000kg | C3 | H6F-C3-1.0t-3B6 |
| 2000kg | C3 | H6F-C3-2.0t-3B6 |

Specifications and dimensions are subject to change without notice and do not constitute any liability whatsoever.

Technical Specifications H6F

| | | | |
|-----------------------------------------|-----------------------------------------|-----------------------------------------------|--------------------------------------------------------------------|
| Accuracy Class | | C3 | |
| Output Sensitivity (= FS) | mV/V | 2.0 ± 0.2* | |
| Maximum Capacity (E _{max}) | kg | 100, 150, 200, 250, 350, 500, 750, 1000, 2000 | |
| Max. Number of Load Cell Intervals | n _{LC} | 3000 | |
| Ratio of min. LC Verification Interval | Y = E _{max} / v _{min} | 10000 | |
| Combined Error | %FS | ≤± 0.023 | |
| Creep Error (30 minutes) | %FS | ≤± 0.020 | |
| Temperature Effect on Zero (ZTC) | %FS/10°C | ≤± 0.017 | |
| Temperature Effect on Sensitivity (STC) | %FS/10°C | ≤± 0.014 | |
| Zero Balance | %FS | ≤± 1.5 | |
| Safe Overload | %FS | 150 | |
| Ultimate Overload | %FS | 300 | |
| Eccentric Loading Error | %Ld/cm | ± 0.002 | |
| Excitation, Recommended Voltage | V | 5 ~ 12 | |
| Excitation, Maximum Voltage | V | 18 | |
| Input Resistance | Ω | 384 ± 4 | |
| Output Resistance | Ω | 350 ± 2 | |
| Insulation Resistance (50V) | MΩ | ≥5000 | |
| Compensated Temperature | °C | -10 ~ + 40 | |
| Operating Temperature | °C | -35 ~ + 65 | |
| Load Cell Weight | kg | 100kg – 500kg: ~4.8 | 750kg – 2t: ~9.5 – 10.4 |
| Element Material | | Nickel plated alloy steel | |
| Ingress Protection (acc. to EN 60529) | | IP66 | |
| Recommended Torque on Fixation Bolts | Nm | M12: 75 | M16: 160 |
| ATEX Classification (optional) | | II 1G Ex ia IIC T4 Ga | II 1D Ex ia IIIC T ₂₀₀ 135°C Da II 3G Ex ic IIC T4 Gc |

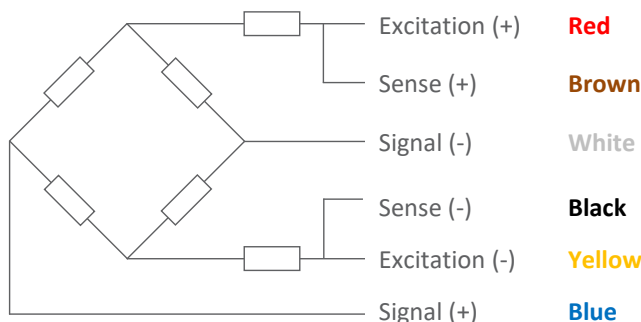
* = S1 version has sensitivity of 2.0mV/V ± 0.002

Wiring

Features:

Cable type: Shielded, 6 conductor cable , conductor AWG 24
 Cable diameter: Ø 6.2mm
 Cable length: 3.0m ± 0.1m
 Cable jacket: PVC
 Shield not connected to element

6-Wire Connection Diagram

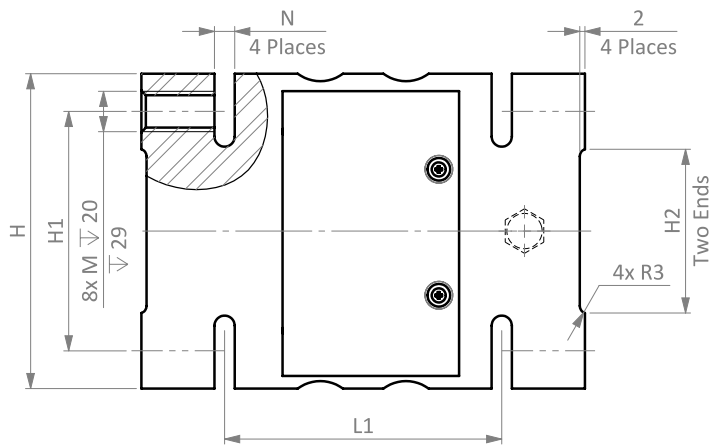


Specifications and dimensions are subject to change without notice and do not constitute any liability whatsoever.

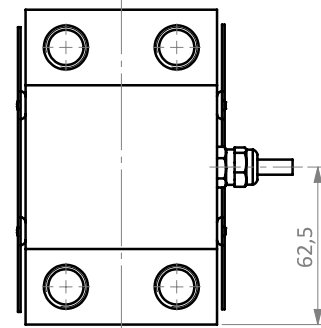
Type H6F Load Cell

Dimensions in mm

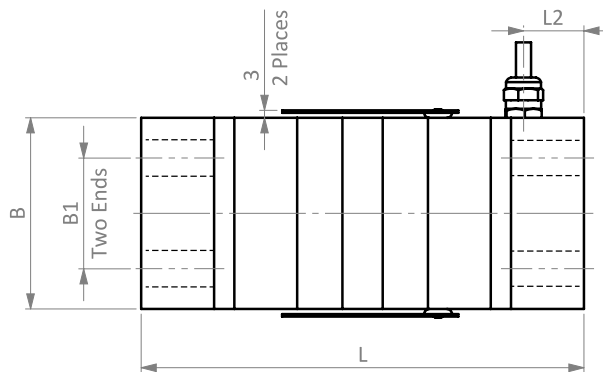
Front View



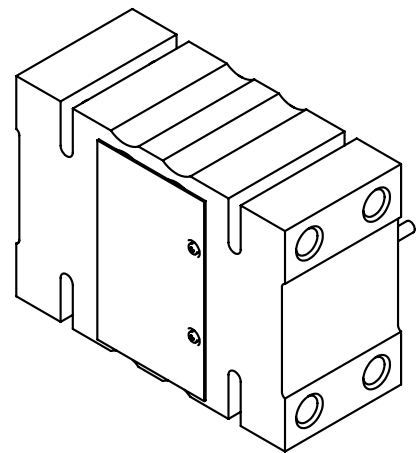
Side View



Top View



Isometric View



| Dimension Capacity | B | B1 | H | H1 | H2 | L | L1 | L2 | M | N |
|-----------------------|----|----|-----|----|----|-----|-----|----|-----|---|
| 100 – 200kg | 44 | 24 | 75 | 50 | 30 | 156 | 112 | 14 | M12 | 5 |
| 250 – 500kg | 60 | 36 | 95 | 70 | 30 | 146 | 110 | 11 | M12 | 5 |
| 750kg – 2000kg | 76 | 46 | 125 | 95 | 65 | 176 | 110 | 24 | M16 | 8 |